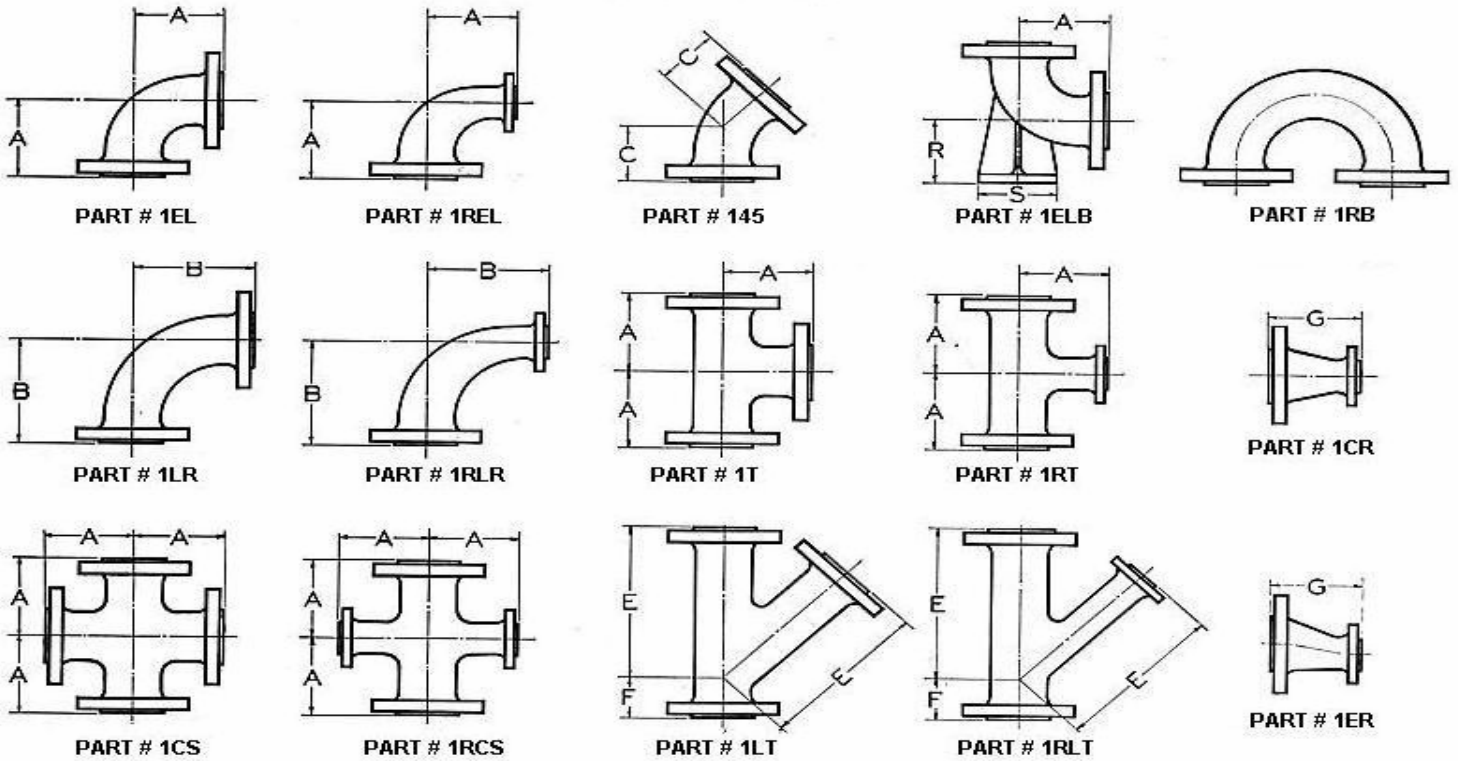


150 # Cast Carbon and Alloy Steel Flanged Fittings

DIMENSIONS



ALL DIMENSIONS ARE IN INCHES

NOMINAL PIPE SIZE	1/2	3/4	1	1 1/4	1 1/2	2	2 1/2	3	3 1/2	4	5	6	8	10	12	14 OD	16 OD	18 OD	20 OD	24 OD
INSIDE DIAMETER OF FITTING	1/2	3/4	1	1 1/4	1 1/2	2	2 1/2	3	3 1/2	4	5	6	8	10	12	13 1/4	15 1/4	17 1/4	19 1/4	23 1/4
OUTSIDE DIAMETER OF FLANGE	3 1/2	3 7/8	4 1/4	4 5/8	5	6	7	7 1/2	8 1/2	9	10	11	13 1/2	16	19	21	23 1/2	25	27 1/2	32
MINIMUM THICKNESS OF FLANGE	3/8	3/8	7/16	1/2	9/16	5/8	11/16	3/4	13/16	15/16	15/16	1	1 1/8	1 3/16	1 1/4	1 3/8	1 7/16	1 9/16	1 11/16	1 7/8
DIAMETER OF RAISED FACE	1 3/8	1 11/16	2	2 1/2	2 7/8	3 5/8	4 1/8	5	5 1/2	6 3/16	7 5/16	8 1/2	10 5/8	12 3/4	15	16 1/4	18 1/2	21	23	27 1/4
DIAMETER OF BOLT CIRCLE	2 3/8	2 3/4	3 1/8	3 1/2	3 7/8	4 3/4	5 1/2	6	7	7 1/2	8 1/2	9 1/2	11 3/4	14 1/4	17	18 3/4	21 1/4	22 3/4	25	29 1/2
NUMBER OF BOLTS	4	4	4	4	4	4	4	4	8	8	8	8	8	12	12	12	16	16	20	20
SIZE OF BOLTS	1/2	1/2	1/2	1/2	1/2	5/8	5/8	5/8	5/8	5/8	3/4	3/4	3/4	7/8	7/8	1	1	1 1/8	1 1/8	1 1/4
CENTER TO FACE A ELBOW-TEE-CROSS	3	3 1/4	3 1/2	3 3/4	4	4 1/2	5	5 1/2	6	6 1/2	7 1/2	8	9	11	12	14	15	16 1/2	18	22
CENTER TO FACE B LONG RADIUS ELBOW	4	4 1/2	5	5 1/2	6	6 1/2	7	7 3/4	8 1/2	9	10 1/4	11 1/2	14	16 1/2	19	21 1/2	24	26 1/2	29	34
CENTER TO FACE C 45 ELBOW	1 1/4	1 1/2	1 3/4	2	2 1/4	2 1/2	3	3	3 1/2	4	4 1/2	5	5 1/2	6 1/2	7 1/2	7 1/2	8	8 1/2	9 1/2	11
CENTER TO FACE E LONG LEG OF LATERAL	-	-	5 3/4	6 1/4	7	8	9 1/2	10	11 1/2	12	13 1/2	14 1/2	17 1/2	20 1/2	24 1/2	27	30	32	35	40 1/2
CENTER TO FACE F SHORT LEG OF LATERAL	-	-	1 3/4	1 3/4	2	2 1/2	2 1/2	3	3	3	3 1/2	3 1/2	4 1/2	5	5 1/2	6	6 1/2	7	8	9
FACE TO FACE G REDUCER	-	-	4 1/2	4 1/2	4 1/2	5	5 1/2	6	6 1/2	7	8	9	11	12	14	16	18	19	20	24
R CENTER TO BASE	-	-	3 1/2	3 5/8	3 3/4	4 1/8	4 1/2	4 7/8	5 1/4	5 1/2	6 1/4	7	8 3/8	9 3/4	11 1/4	12 1/2	13 3/4	15	16	18 1/2
S WIDTH OF BASE	-	-	3 1/2	3 1/2	4 1/4	4 5/8	4 5/8	5	5	6	7	7	9	9	11	11	11	13 1/2	13 1/2	13 1/2

Cast steel flanged fittings are provided with 1/16" raised faces, which ARE included in minimum thickness of flange, center to face & face-to-face dimensions. Reducing fittings have the same center to face dimensions as those of straight size fittings of the largest opening. Dimensions per ANSI B16.5