

PRESSURE GAUGE SYPHON

STYLE# 1

1/2"

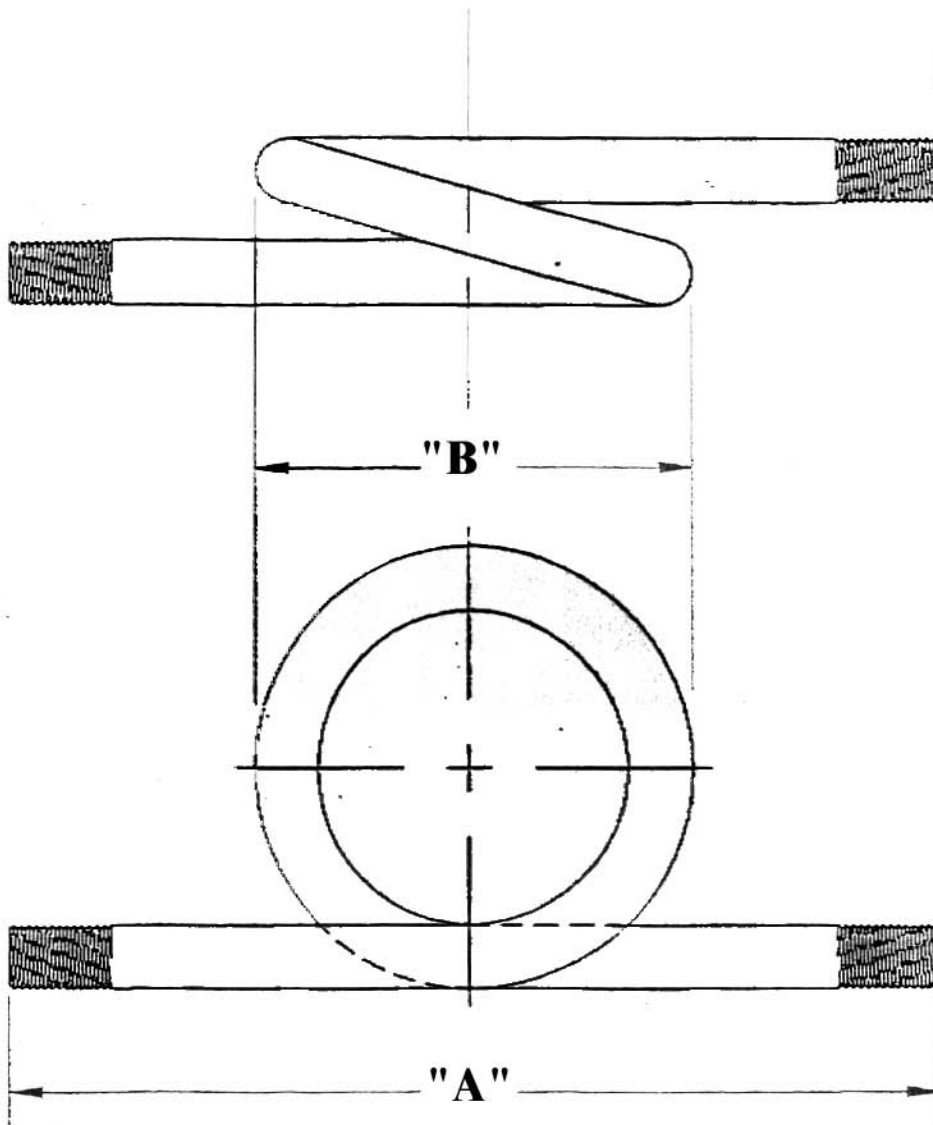
$$A = 8 \frac{7}{8}'' \pm \frac{1}{4}''$$

$$B = 4'' \pm \frac{1}{2}''$$

1/4"

$$A = 5 \frac{1}{2}'' \pm \frac{1}{4}''$$

$$B = 2 \frac{1}{2}'' \pm \frac{1}{4}''$$



1 Reed Rd
PO BOX339
Elysburg, PA 17824
PHONE: 570-672-1550
FAX 570-572-1556