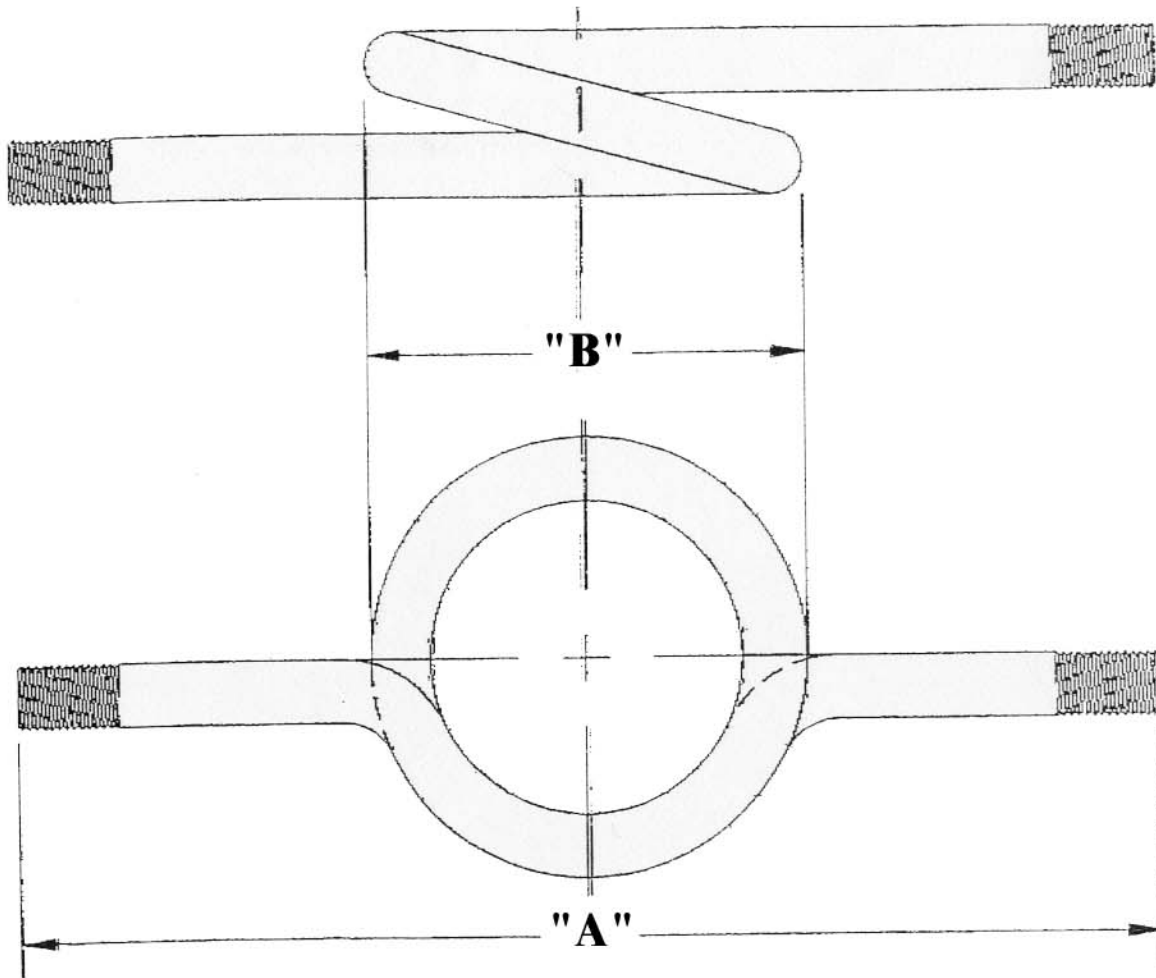


# PRESSURE GAUGE SYPHON



**STYLE# 4**

**1/2"**

**A = 12" ± 1/4"**

**B = 4 1/8" ± 1/4"**

**1/4"**

**A = 7 1/4" ± 1/4"**

**B = 2 5/8" ± 1/4"**



**1 Reed Rd  
PO BOX339  
Elysburg, PA 17824  
PHONE: 570-672-1550  
FAX 570-572-1556**